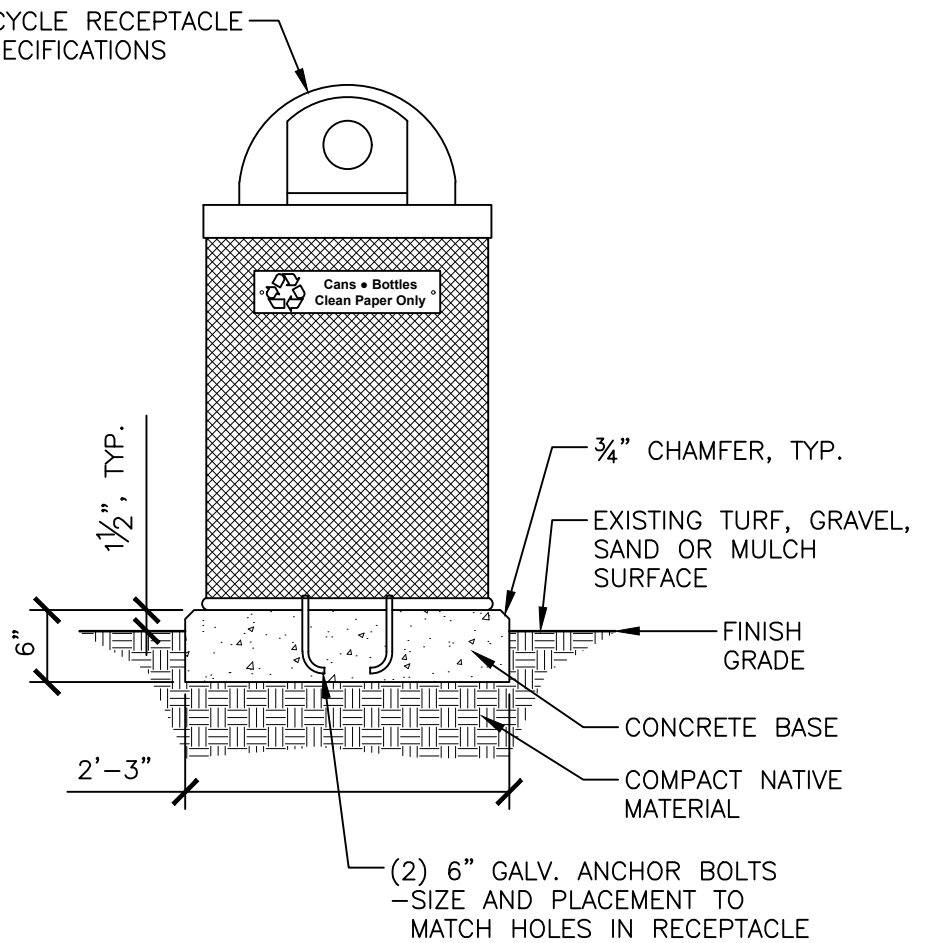


HARD SURFACE INSTALL



SOFT SURFACE INSTALL



City of
Bellevue

TITLE:

GARBAGE/RECYCLE RECEPTACLE INSTALLATION

| | |
|----------------|----------|
| DRAWING #: | PK-SF-07 |
| SCALE: | N.T.S. |
| REVISION DATE: | 12-2018 |
| DEPARTMENT: | PARKS |