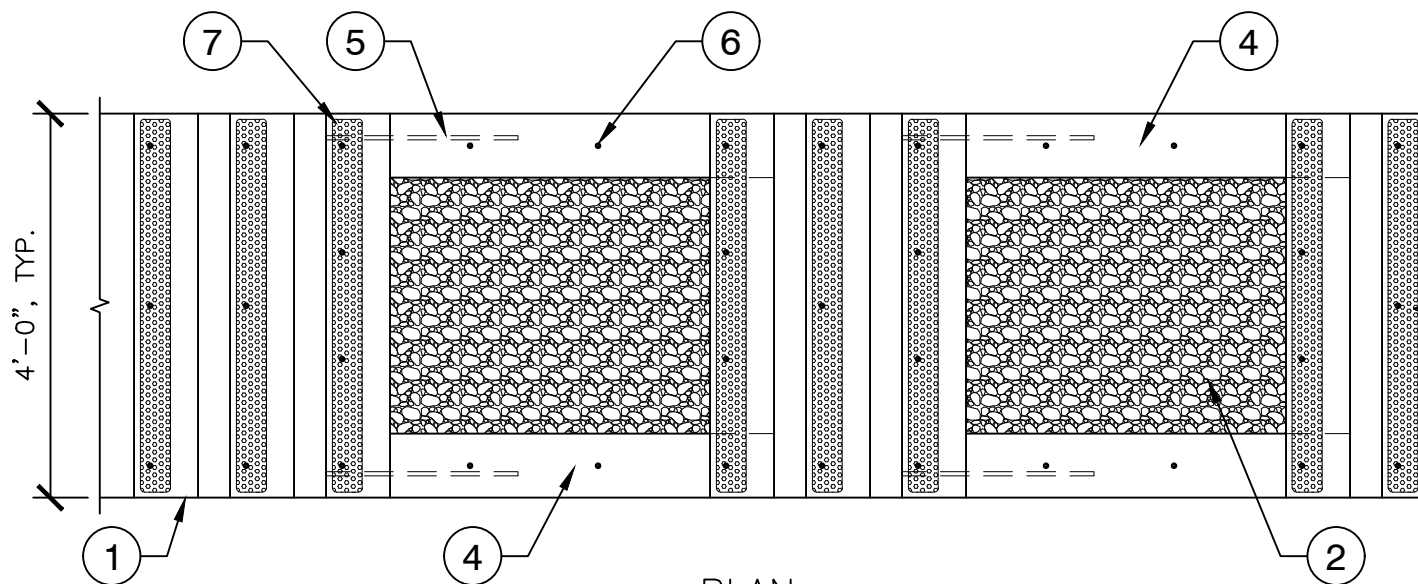


SECTION

- ① 6x8 TIMBER STAIRS, SEE TIMBER STAIR DETAIL
- ② 5/8" MINUS CRUSHED GRAVEL BACKFILL
COMPACTED TO 95% DENSITY
- ③ COMPACT NATIVE SOIL
- ④ 6x8 TIMBER LANDING
-EXTEND SIDES UNDER UPHILL STAIR TREAD
- ⑤ 2' LONG #4 REBAR OR 1/2" DIA. GALV. SPIKE
DRIVEN THROUGH FACE OF RISER INTO LANDING
TIMBER AT LANDING (BOTH SIDES)
- ⑥ 3' LONG #4 REBAR AT 1'-0" O.C. ON ALL SIDES
OF LANDING
- ⑦ ALUMINUM NON-SLIP TREADS, BROWN
IN COLOR, INSTALLED ON ALL TREADS
-USE HANDI-TREADS OR APPROVED EQUAL
-INSTALL PER MANUFACTURER'S SPECIFICATIONS



PLAN

NOTES:

- 1. LANDING TIMBERS
TO D.F. #2 OR
BETTER WITH
ROUGH SAWN
WALKING SURFACE,
PT ACQ/CBA, OR
APPROVED EQUAL.
- 2. ALL CUTS MADE IN
THE FIELD SHALL
BE TREATED WITH
COPPER
NAPHTHENATE
WOOD
PRESERVATIVE, OR
APPROVED EQUAL.



City of
Bellevue

TITLE:

TRAIL - TIMBER STAIRS - LANDING

DRAWING #:	PK-TR-06B
SCALE:	N.T.S.
REVISION DATE:	03-2021
DEPARTMENT:	PARKS