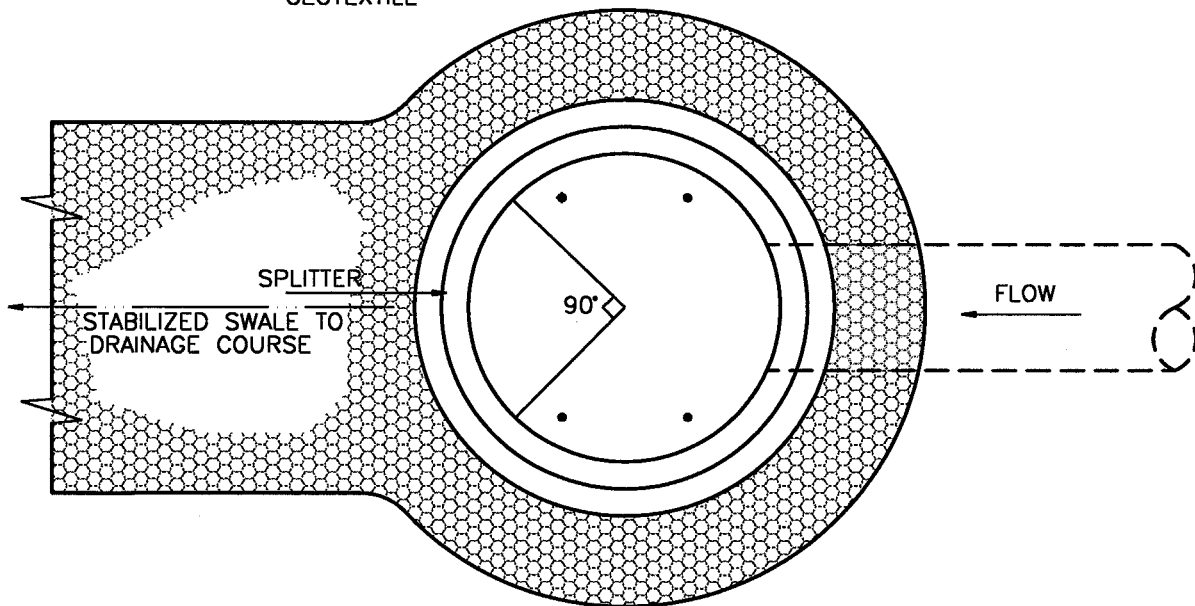


**ELEVATION**



**PLAN**

INLET PIPE SIZE "D"	BASE HEIGHT "H"
8"	2'
12"	3'
18"	3'
24"	4'



**City of Bellevue**

SURFACE WATER UTILITY

TITLE

ENERGY DISSIPATOR